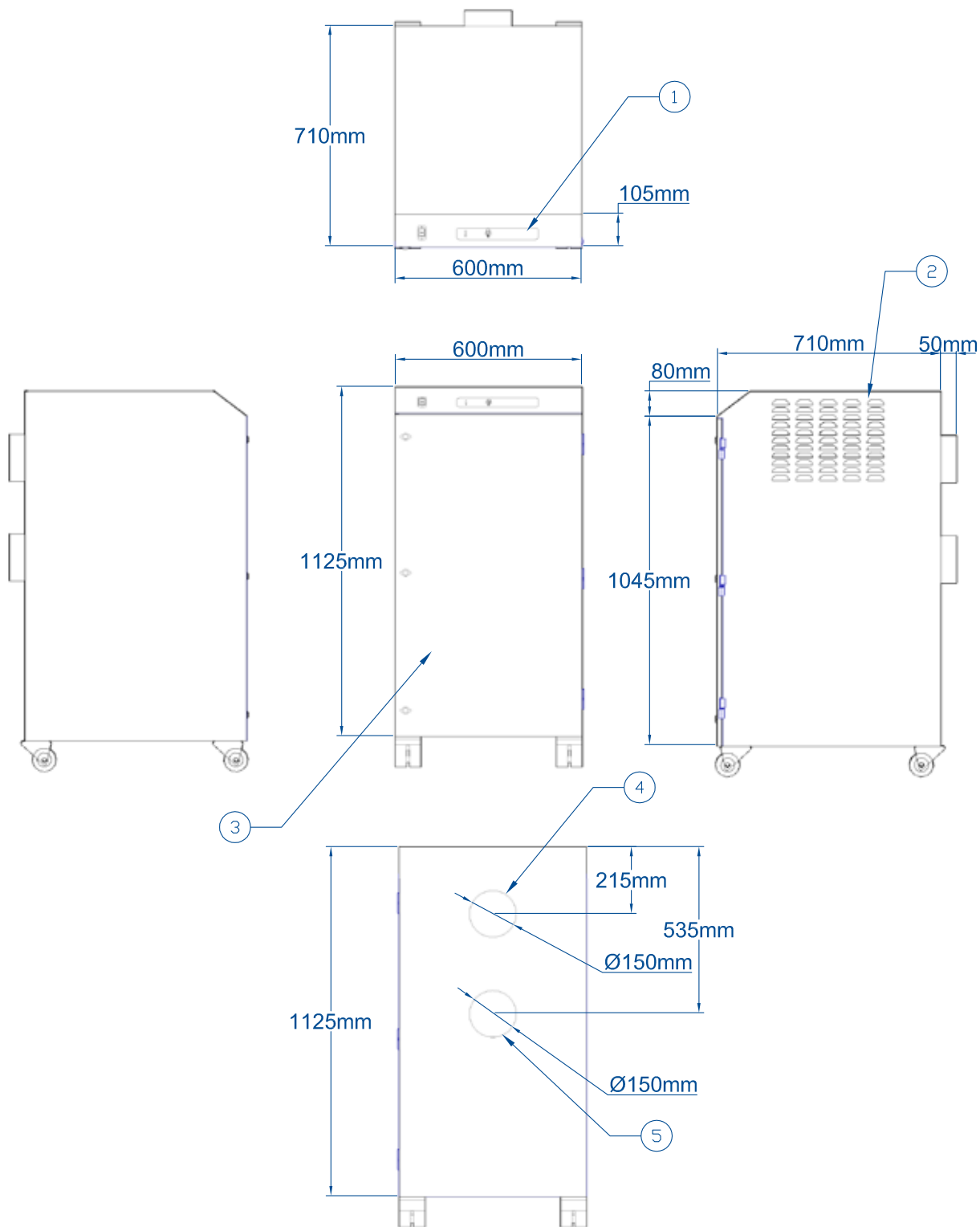


Blow, Vacuum and Filter Unit Dimensions



Key

1	Control & Status Display Panel
2	Air Vents
3	Filter Access Door
4	$\text{Ø}150\text{mm}$ Outlet
5	$\text{Ø}150\text{mm}$ Inlet