

v1.52/1.53



Operating Manual

Hyperion 929IPS

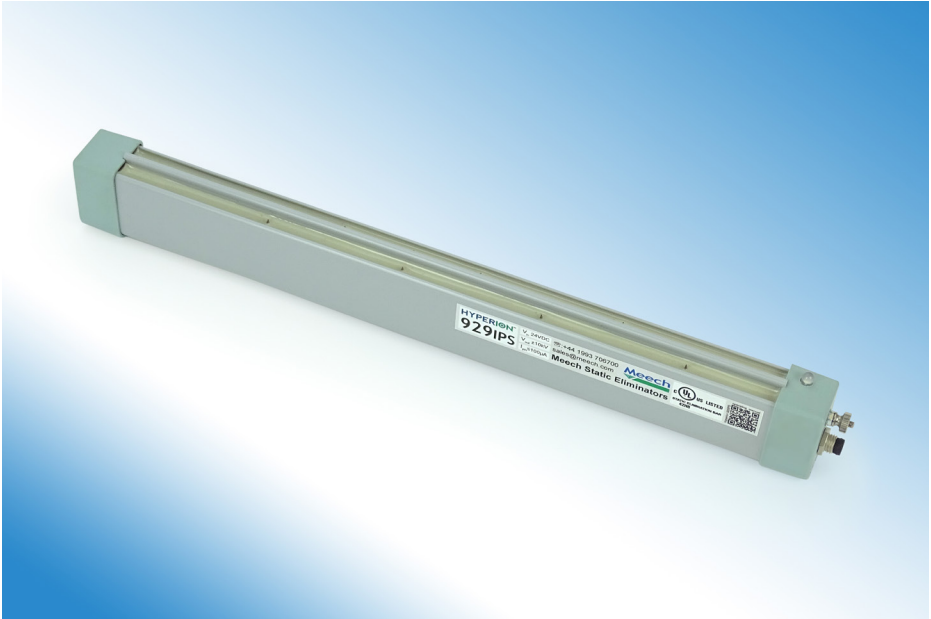
Mid-Range DC Bar

Contents

Introduction	3
Unpacking and Inspection	4
Contents	4
Options	4
Features of Hyperion 929IPS	5
Installation	8
Operation	13
Maintenance	13
Fault Finding	15
Troubleshooting	17
Repairs and Warranty	18
Technical Characteristics	19
UL Approval	19
CE Approval	20
Health and Safety	20
Technical Drawing	20

Products shown in this document may be covered by one or more patents, patents applied for and/or registered designs and/or trade marks. For further information please refer to our Head Office or visit www.meech.com.

Introduction



The Hyperion 929 IPS is a powerful, compact pulsed DC ionising bar. It is used to control static electric charges in short to mid-range applications (50-500mm). An integral 10kV pulsed DC power supply allows for easy installation on printing, converting and packaging machinery. Requiring only a 24V DC supply, the 929 IPS removes the need to route high-voltage cabling through the machine.

In most installations the default settings of the bar will provide exceptional static control. The local LED indicator shows the operational status of the bar and advises when the bar requires cleaning.

Demanding installations can take advantage of the adjustable output of the 929 IPS. Using the optional Hyperion BarMaster remote programmer, the frequency and balance can be optimised to suit the application. Additionally, the Ion Current alarm setting can be changed to guarantee the required performance levels on critical processes.

The Hyperion BarMaster remote programmer is available for purchase from the Meech network: Visit www.meech.com to find your nearest Meech office or distributor for further product information.

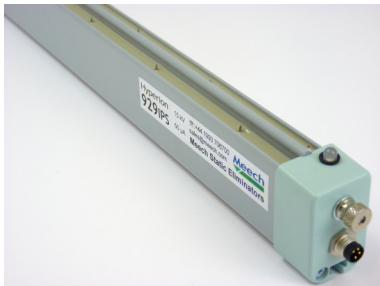
Unpacking And Inspection

Your Hyperion 929IPS bar was carefully packed at the factory in a container designed to protect it from accidental damage. Nevertheless, we recommend careful examination of the carton and contents for any damage.

If damage is evident, do not destroy the carton or packing material and immediately notify the carrier of a possible damage claim. Shipping claims must be made by the consignee to the delivering carrier.

Contents:

Standard



929IPS Bar



Mounting Kit

Options



Power Cable - 4 Pin M8 (straight or 90° elbow)
Available in 2,3,5 and 10M lengths.



24V DC Supply & IEC cable



BarMaster remote programmer.
Allows optimisation of the output of the 929IPS

Features and Benefits of Hyperion 929IPS

Low voltage wiring and Integrated Power Supply



The 929IPS is powered by 24V DC via a 4-pin M8 Connector.

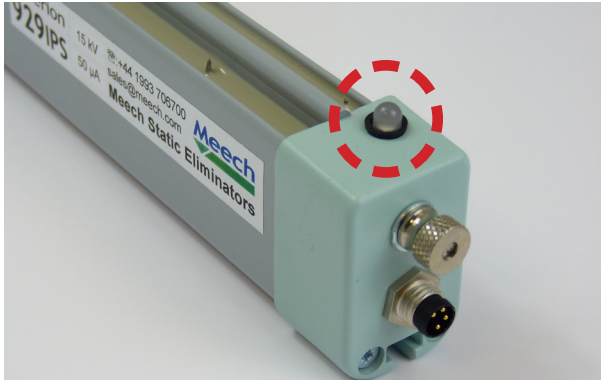
Shockless Emitters

The Titanium emitter pins on the 929IPS are resistively coupled to the high voltage supply. This avoids sparking and operator shocks.

Sealed Construction

IP66 construction allows the bar to be mounted in areas subject to occasional wash-down or spillage. If the bar does become wet it must be thoroughly dried before being powered-up.

Clean Pin Alert LED



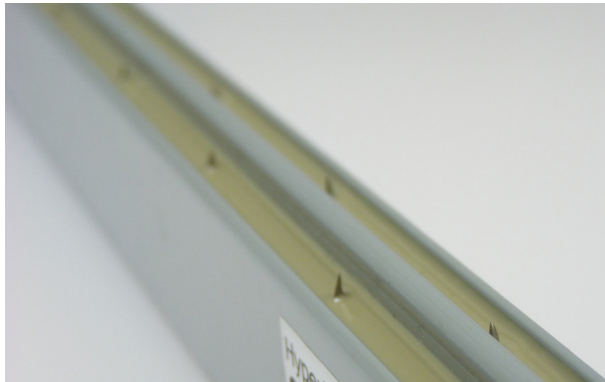
The local LED illuminates green to indicate that the bar is on and working correctly. Red flashing LED shows that bar is dirty and needs cleaning. Solid red illumination indicates a fault with the high voltage output.

- Green - OK
- Green flashing - Barmaster remote programmer connected
- Red flashing - Cleaning required
- Red constant - Fault

Clean Pin Alert and Fault Output

An output signal indicates when the bar needs cleaning or when a fault has been detected. The signal is 0V/24V output on pin 2. By default: Bar OK = 24V, Bar needs cleaning (or fault detected) = 0V. If required the signal can be inverted to give OK = 0V, Cleaning Required = 24V using a Barmaster Remote Programmer

Divider



The 929IPS is designed to operate in dirty, factory environments. To maximise the interval between cleaning the bar features a divider to increase the surface tracking distance between the two rows of high voltage pins. It is important to clean this area during cleaning operations.

T-Slot



The bar is mounted using the T-Slot at the rear of the bar. M4 T-bolts supplied with the bar maybe positioned to suit convenient mounting points.

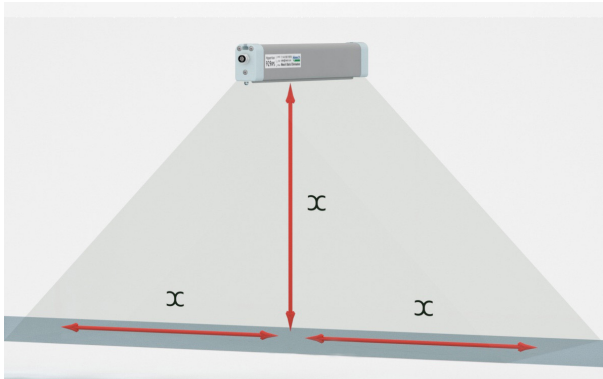
Installation

Mechanical Installation

The 929 is a short to mid-range bar. Dependent on the application, the bar will be mounted between 50mm and 500mm from the target surface.

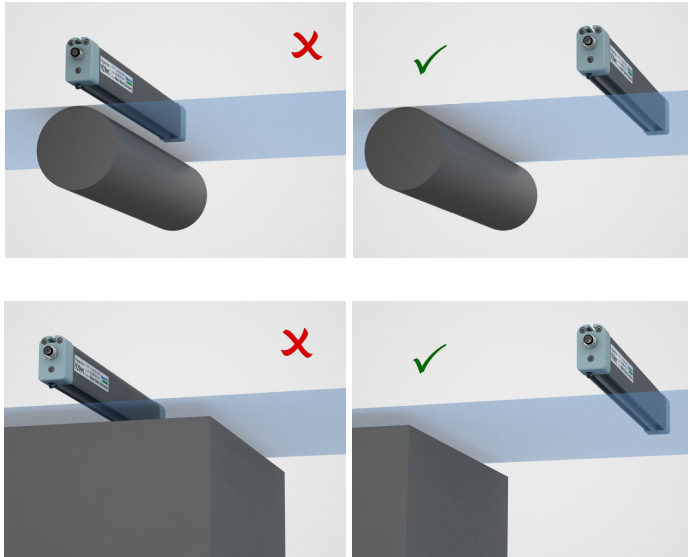
The bar should be mounted securely, using all the M4 T-bolts provided with the bar.

Correct positioning of the bar is vital for effective static control. There must be no metallic objects or obstruction between the bar and the material. The diagram shows the area that should be kept clear.



Where X lengths are equal.

When installed at short range over a web or sheet, the bars must be positioned away from surfaces and rollers, as shown in the following diagrams.



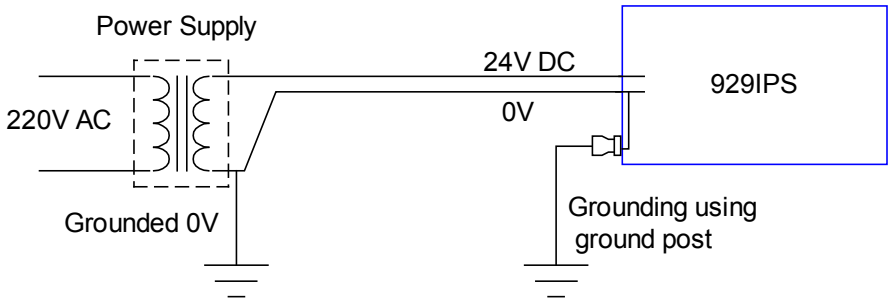
Your Meech distributor will be able to assist with questions regarding positioning of your equipment.

Electrical Installation

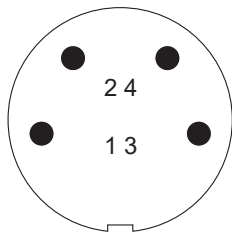
WARNING

The 929IPS requires a grounded 24V DC supply. The 0V line **must** be connected to ground. Failure to do so, will result in damage to the bar or the 24V supply and will void the warranty.

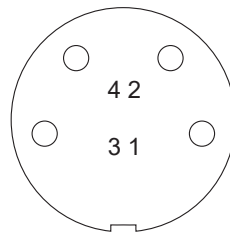
A grounding post on the bar is provided for this purpose. Meech recommend that, for certainty, the bar is grounded using this post, in addition to using a grounded 24V DC supply.



Connection to the 929IPS is via an industrial M8 4 Pin connector. With the following pin-outs:



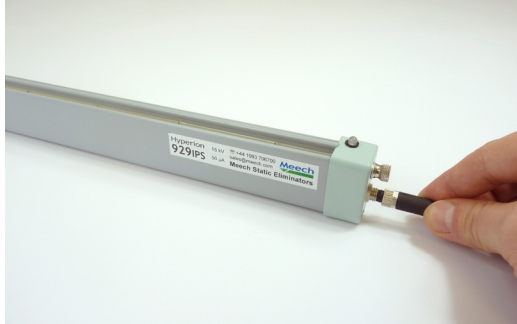
Male connector on Bar



Female connector on Cable

Pin	Colour	Function Specification
1	Brown	24V (21-27V)
2	White	Clean Pin Output 0V / 24V
3	Blue	0V / Ground
4	Black	No connection

Connection using Meech 24V DC power supply



Meech 24V DC supplies are grounded internally. It is important that the mains connection offers a ground connection. Two-pin outlets without a ground connection must not be used, unless the ground post on the 929IPS bar is connected to ground.

The switchmode power supply has a standard IEC C13 mains socket and a 2000mm HT cable to M8 Connector. A break-out wire from the switchmode power supply provides the Clean Pin Alert output signal.

Connection using customer's own power supply:

It is the customer's responsibility to check that the 24V power supply they will be using is grounded. If it is NOT grounded they must check that grounding it via the ground post on the 929IPS bar will not affect any other systems running from that power source.

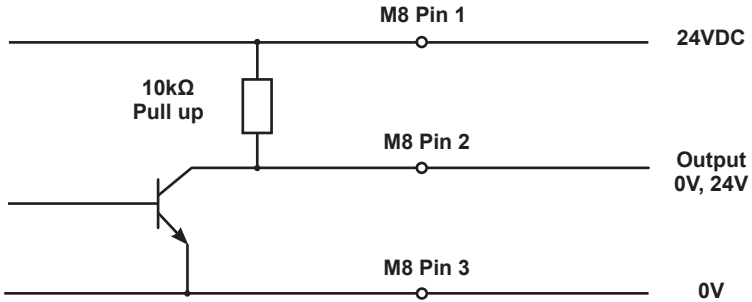
The 24V supply should be protected with a 1 Amp fuse.

Clean Pin Alert - Remote Monitoring

Remote monitoring of the need to clean the bar is provided by the output signal on pin 2. The signal is 0V-24V suitable for direct connection to a PLC input. The output impedance of the signal is 10k Ω . The output can also be configured to power an external relay to provide volt-free contacts for other monitoring systems.

Using a BarMaster remote programmer the output can be set to Normally Open (factory default) or Normally Closed.

PLC Wiring



Output Signal Voltage

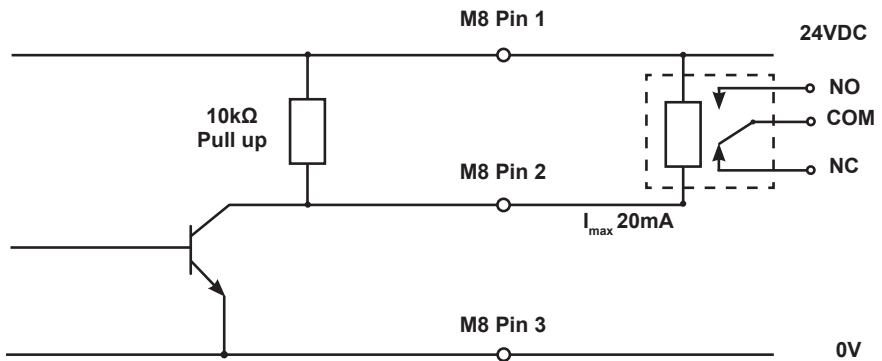
Normally Open Output Matrix

	24V Supply Power ON	24V Supply Power OFF
OK (Green LED)	24V	0V
Dirty/Faulty (Red LED)	0V	0V

Normally Closed Output Matrix

	24V Supply Power ON	24V Supply Power OFF
OK (Green LED)	0V	0V
Dirty/Faulty (Red LED)	24V	0V

External Relay Wiring



Relay Power

Normally Open Output Matrix

	24V Supply Power ON	24V Supply Power OFF
OK (Green LED)	OFF	OFF
Dirty/Faulty (Red LED)	ON	OFF

Normally Closed Output Matrix

	24V Supply Power ON	24V Supply Power OFF
OK (Green LED)	ON	OFF
Dirty/Faulty (Red LED)	OFF	OFF

Operation

Having connected the M8 connector to the bar, power up the 24V supply and check for a green constant LED on the bar. This indicates that the bar is running correctly with a good ion output.

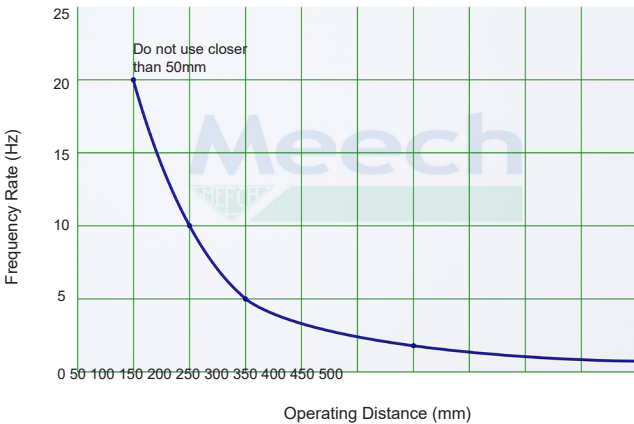
Caution

Always turn off the 24V supply before connecting or disconnecting the M8 connector. Failure to do so could result in stored charges giving a small electric shock.

Setting the Rate

The 929IPS features a variable output frequency. The frequency that should be set depends on the ionising product and the distance to the target object.

Suggested Frequency Vs Operating Distance for 929IPS



Maintenance

Ionising bars become contaminated with usage. Dirt build-up on the body of the ioniser and, particularly on the pins, will cause a drop in performance. To get the best from your bar, it should be cleaned as part of regular machine maintenance.

If regular cleaning is not carried out, the bar will detect the drop in performance and trigger the Clean Pin alert. The LED will flash red and the output signal will be activated.

Before cleaning, ensure that the equipment is switched off.

Emitter pins can be cleaned very effectively with a brush. A dry toothbrush is ideal.



Ionising bars will need periodic wiping to clean grey deposits from the surface of the bar. A cloth moistened with a small amount of IPA or methylated spirits is recommended.



Let dry for a minute and turn back on.

Fault Finding

To reduce the time it takes to resolve a problem with a Hyperion product, the following process must be completed before requesting assistance from Meech.

The information below shows what is required for a 929IPS bar however, the same process can be used for any of the Hyperion range of products.

Supplying the following information will ensure your claim is processed quickly when you first contact Meech:

1. Connect to a BarMaster and turn on the equipment



2. A readout will appear on screen and we will require the following information:

- a. Bar Code Serial Number
- b. Product Code (i.e. A929-(0320 = bar length))
- c. Frequency
- d. Balance
- e. Feedback
- f. Alarm %
- g. Ion Level %
- h. Alarm Line



3. Status of the LED (i.e. solid green, flashing red, solid red, flashing green)

4. Please provide a photo of the equipment as it is installed
5. A description and a photo or video of the problem you are experiencing
6. The action you want Meech to take e.g. repair, replace, warranty etc.

LED Status

When the equipment powers on, the LED will show green whilst the system monitors the bars performance. If it then starts to flash red or go solid red, check the ion level with the BarMaster.

Solid Green indicates there is no bar master connected.

Flashing Green indicates the bar master has been connected

Flashing Red indicates more cleaning required

Solid Red indicates the ion level has dropped well below the alarm setting, prompting a serious fault warning. Check installation for metallic objects on the emitter pins.

Should the solid red LED persist, connect your BarMaster and follow the Troubleshooting section or contact your local Meech distributor.

Troubleshooting

Solid Green LED	Meaning	In normal operation the LED on the bar will illuminate Green. This indicates that the bar is operating correctly with good ionisation performance.
No LED	Meaning	No power to bar
	Action	Check 24V Power Supply over pins 1 and 3. (Brown and Blue wires)
Flashing Green LED	Meaning	BarMaster remote programmer is connected.
	Action	After programming, reconnect directly to the power supply to resume normal operation.
Flashing Red LED	Likely cause	Contamination causing a drop in performance.
	Action	Switch off power supply and clean as described in Maintenance section. Turn the power on and check for green solid LED
Solid Red LED	Likely Cause	Abnormal output current detected
	Action	Check installation for metallic objects on the emitter pins. Should the solid red LED persist, contact your Meech distributor

Warning

Do not reset the **Ion Reference** without cleaning the ionising bar first. Resetting the Ion Reference with a low or 0% reading will provide a green LED, but will only mask any problem with the system.

The 929IPS requires a grounded 24V DC supply & earth stud. The 0V line must be connected to ground. Failure to do so, will result in damage to the bar or the 24V supply and will void the warranty.

Repairs And Warranty

The Meech 929IPS Bar is warranted by Meech Static Eliminators Ltd. to the original purchaser against defects in material and workmanship for two years after shipment.

The 929IPS requires a grounded 24V DC supply. The 0V line **must** be connected to ground. Failure to do so, will result in damage to the bar or the 24V supply and will void the warranty.

Should any malfunction occur, please return the bar directly to Meech Static Eliminators Ltd. or your local Meech Distributor. All products returned to the factory **MUST** be accompanied by a return authorisation number and must be shipped prepaid. For prompt service, ship the unit to the factory with the return authorisation number shown clearly on the label. Be sure that it is well packed in a sturdy carton with shock absorbing material.

Include a note stating the nature of the problem as specifically as possible, and also include instructions for returning the bar to you. We will pay one-way return shipping costs on any repairs covered under the warranty.

Technical and Construction

Dimensions (W x H)	26mm x 43mm
Maximum Length	2965mm
Operating Range	50mm – 500mm
Weight	0.9kg/metre
Construction	PVC/ ABS FR.
Mounting	'T' Slot with M4 x 20 studs
Emitters	Sharp titanium pins
Input Current	Max 500mA
Input Voltage	24V DC (21-27VDC)
Output Voltage	+/- 10kV Pulsed DC
Electrical Connection	4 Pole M8
Clean Pin Output Signal	24V Output resistance 10kΩ
Output Frequency	Default Setting: 5Hz Adjustable with BarMaster from 1Hz to 20Hz;
Output Balance	Default Setting: 52%:48% Pos:Neg Adjustable with BarMaster from 80:20 to 20:80 Pos:Neg
Environmental Protection	IP66
Max Ambient Temperature	60 °C

UL Approval

Static elimination bar Hyperion 929IPS has been investigated by UL in accordance with the following standard(s): UL 60950-1 & CAN/CSA C22.2 No. 60950-1-07.



CE Approval

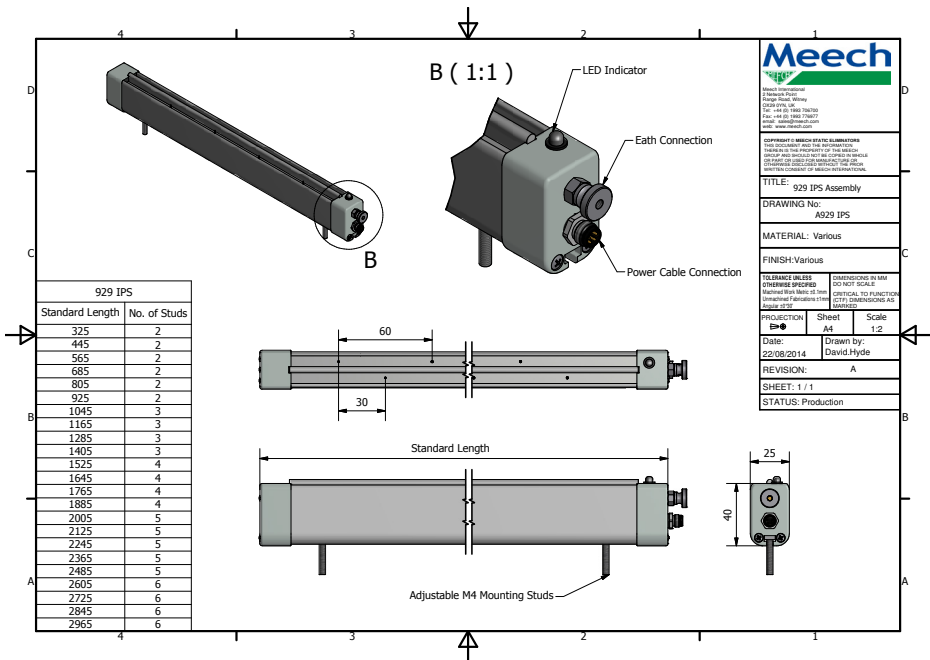
An EC Declaration of Conformity for this product exists in respect of the Low Voltage Directive: 72/23/EEC ("LVD") & Electromagnetic Compatibility Directive: 89/336/EEC ("EMCD")



Health and Safety

Emission of Ozone: Considerably below international standard of 0.1ppm.

Technical Drawing



**Meech International**

2 Network Point
Range Road, Witney
OX29 0YN, UK

Tel: +44 (0)1993 706700
Fax: +44 (0)1993 776977
email: sales@meech.com

**Meech Static Eliminators
(Shanghai) Co. Ltd**

7G, 7F, LP Tower
#25 Xiangfeng Road
201103 Shanghai
China

Tel: +86 400 820 0102
Fax: +86 21 6405 7736
email: china@meech.com

Meech Static Eliminators USA Inc

2915 Newpark Drive
Norton, OH 44203
USA

Tel: +1 330 564 2000 / 1 800 232 4210
Fax: +1 330 564 2005
email: info@meech.com

Meech Shavotech

29/2, Kharadi
Off Pune-Nagar Road
On Old Kharadi Mundhwa Road
Pune : 411014 , Maharashtra
India

Tel: +91 (0)703 093 8211 / +91 (0)741 000 4817
Fax: +91 (080) 28395963
email: india@meech.com

Meech Elektrostatik SA

Kaiserbaracke 166
B-4780 St.Vith
Belgium

Tel.: +49 (0)6555 3733 399
+32 (0)80 670 204
Fax: +32 (0)80 862 821
email: mesa@meech.com

**Meech International
(Singapore) Pte. Ltd.**

7 Temasek Boulevard
12 - 07 Suntec Tower One
Singapore
Singapore
038987

Tel: +65 65918859
email: singapore@meech.com

Meech CE

Gábor László utca 2
Budapest 1041
Hungary

Tel: +36 1 7977039
+36 30 2803334
email: ce@meech.com