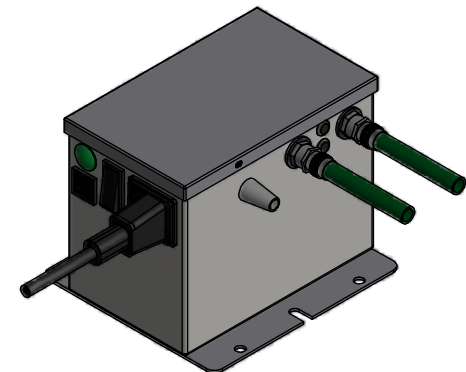
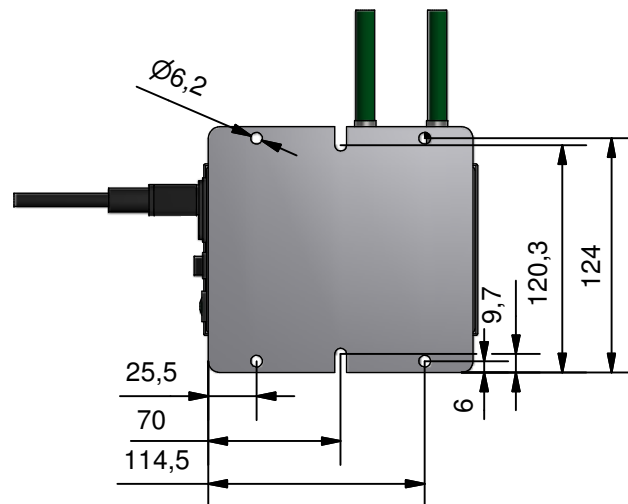
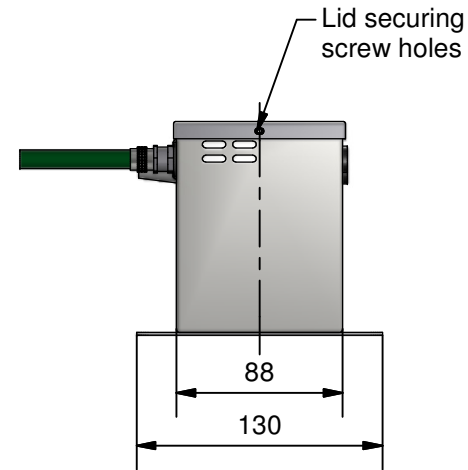
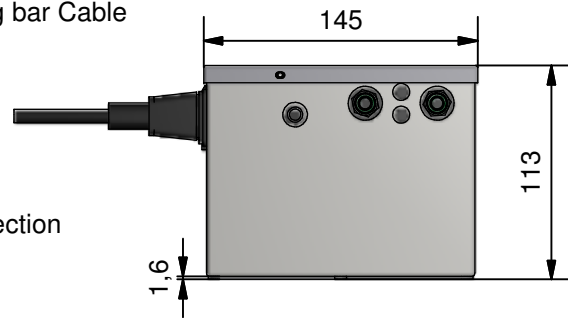
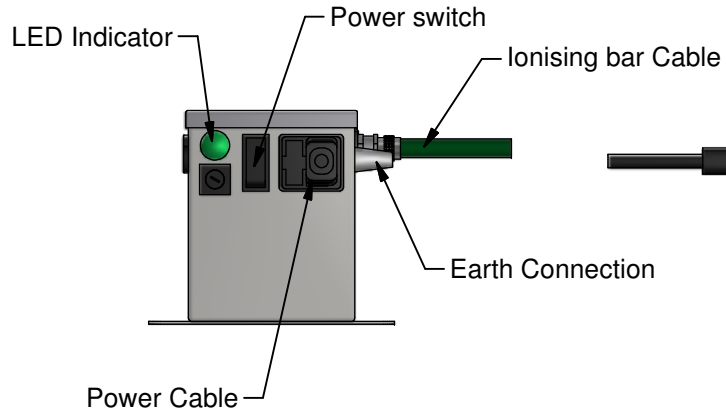
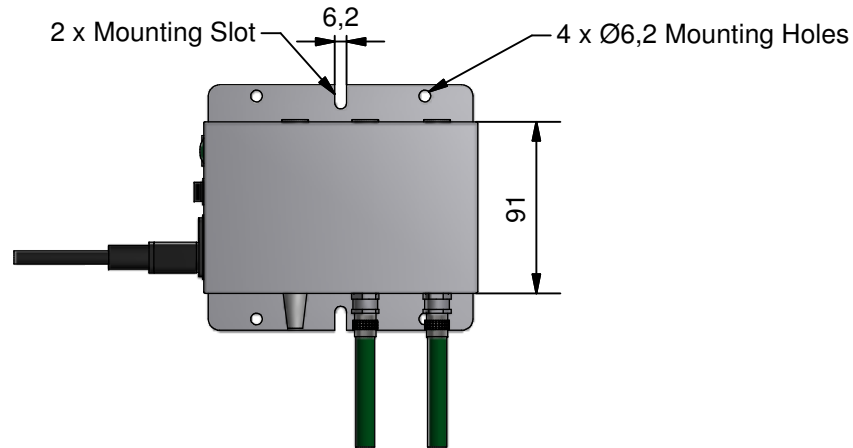


# 904 Power Unit



**Meech**

Meech International  
 2 Network Point  
 Range Road, Winney  
 OX29 0YN, UK  
 Tel: +44 (0) 1993 706700  
 Fax: +44 (0) 1993 776977  
 email: sales@meech.com  
 web: www.meech.com

COPYRIGHT © MEECH STATIC ELIMINATORS  
 THIS DOCUMENT AND THE INFORMATION  
 THEREIN IS THE PROPERTY OF THE MEECH  
 GROUP AND SHOULD NOT BE COPIED IN WHOLE  
 OR PART OR USED FOR MANUFACTURE OR  
 OTHERWISE DISCLOSED WITHOUT THE PRIOR  
 WRITTEN CONSENT OF MEECH INTERNATIONAL

TITLE: 904 Power Unit

DRAWING No: A904

MATERIAL: Various

FINISH: Various

TOLERANCE UNLESS OTHERWISE SPECIFIED <small>Machined Work Metric ±0.1mm          Unmachined Fabrications ±1mm          Angular ±0.30°</small>	DIMENSIONS IN MM DO NOT SCALE	
	CRITICAL TO FUNCTION (CTF) DIMENSIONS AS MARKED	

PROJECTION 	Sheet A4	Scale 1 : 5
----------------	-------------	----------------

Date: 30/10/2013	Drawn by: David Hyde
---------------------	-------------------------

REVISION:

SHEET: 1 / 1

STATUS: Production Model